

**PILE DRIVER FOR BEACH UMBRELLAS**



BEFORE...



...AFTER



...DURING...

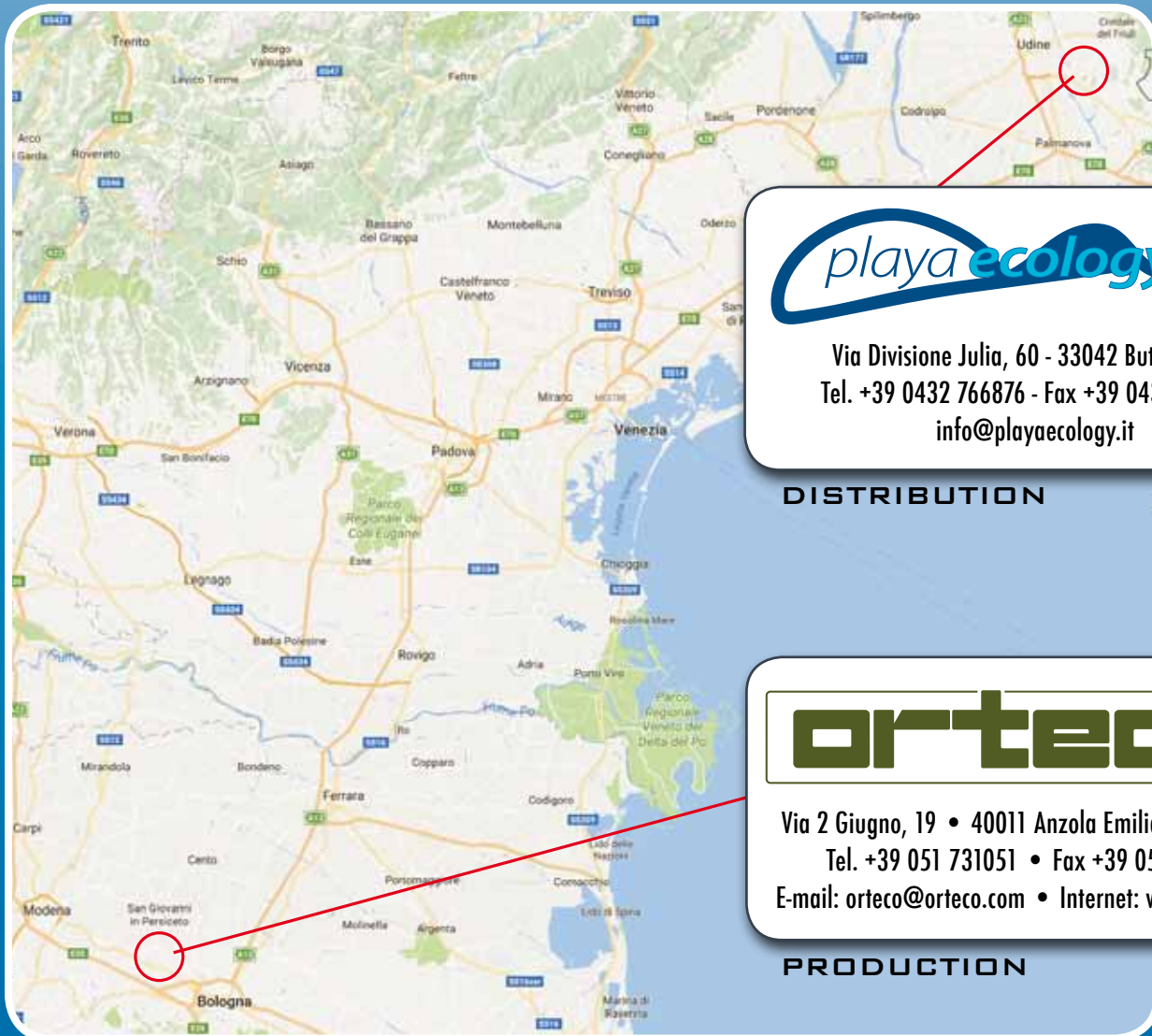
**SUN**  
4.0

**orteco**<sup>®</sup>  
s.r.l.

“AUTOMAZIONE  
e PRECISIONE...  
...senza fatica”

The SUN4.0 pile driver was especially designed to install beach umbrella poles with the help of the GPS Machine Control system. The machine moves by itself from one pole to the next quickly and with accuracy.

It is lightweight and the technical solutions adopted aim to reduce costs, energy and noise, protecting the environment.



Via Divisione Julia, 60 - 33042 Buttrio (UD)  
Tel. +39 0432 766876 - Fax +39 0432 765518  
info@playaeology.it

DISTRIBUTION



Via 2 Giugno, 19 • 40011 Anzola Emilia (Bo) • Italia  
Tel. +39 051 731051 • Fax +39 051 731925  
E-mail: orteco@orteco.com • Internet: www.orteco.com

PRODUCTION



**SUN**<sup>4.0</sup>  
**PILE DRIVER ON CRAWLER  
FOR BEACHES**



### TECHNICAL DATA

MODEL:		600	800
Driving power	joule	590	830
Hammer hits per minute	n°	650/1000	620/1500
Tilting kit		standard	standard
Configured for an extractor		standard	standard
Auxiliary system for accessories		standard	standard
Hatz engine (diesel)		2L41C	2L41C
Electric start	volt	12	12
Hammer noise	dbA	112	112
Power (at 3000 RPM)	Kw (HP)	21,3 (28,5)	21,3 (28,5)
Maximum pressure during operation	Mpa	15	15
Oil system flow rate	dm <sup>3</sup> /min	75	75
Oil tank capacity	dm <sup>3</sup>	110	110
Diesel fuel tank capacity	dm <sup>3</sup>	50	50
Total weight	kg	3000	3150

The manufacturer reserves the right to change the technical characteristics above without prior notice. Photos may show non-standard accessories.



### VERTICALITY

Thanks to the GPS system, verticality and height above sea level are managed by a software application. Indeed, the "Machine Control" software application manages all pile driver functions.

The GPS Machine Control system allows the geolocalised operation of the machine, increasing effectiveness, safety, productivity, and thus reducing costs.

The GPS Machine Control system allows not only the detection and tracking of the machine position in relation to a given point of reference, but the system also guides the machine along a pre-established path and controls all its maneuvers and movements without the intervention of the operator.

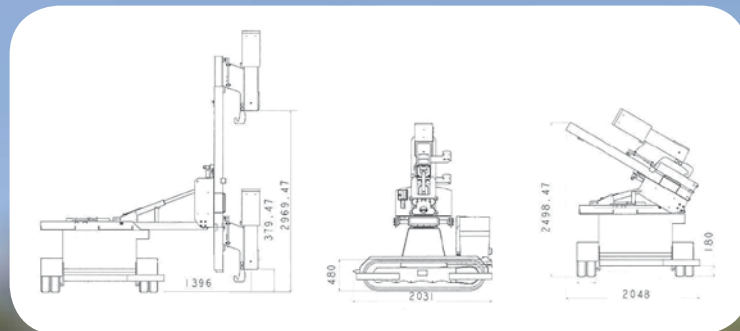
The control unit applied to the pile driver for the installation of beach umbrella bases enables the machine to position and install the poles automatically with high accuracy, according to the diagram loaded into the memory.



### THE GPS's COMPUTER

#### CHARACTERISTICS:

- 10.4" High Quality 1024x768 Resolution TFT-LCD Panel
- Intel® Atom Dual Core N2800 1.86GHz with Intel® NM10 Chipset
- Brightness up to 700 nit enhanced visibility
- Built-in Wireless/Bluetooth/GPS module
- Support 3G (optional)
- Low power consumption CPU only 3,5W



### SAFETY

The layout of the hydraulic hoses within the main frame is a major safety factor in favor of the operator in case of an oil leak from the high pressure oil-hydraulic system.



### DOUBLE ANTENNA

The use of two antennas makes the GPS based geolocation system extremely resilient.



### GPS FOR DOUBLE ANTENNA

The GPS radionavigation system + RTK technique (double frequency @ 20Hz) provides centimeter-level accuracy.